

# 4-CAB8D Series Door Assembly Installation Sheet

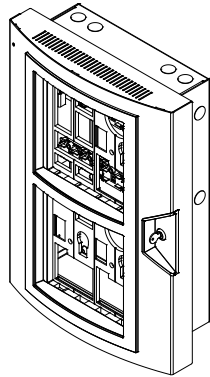
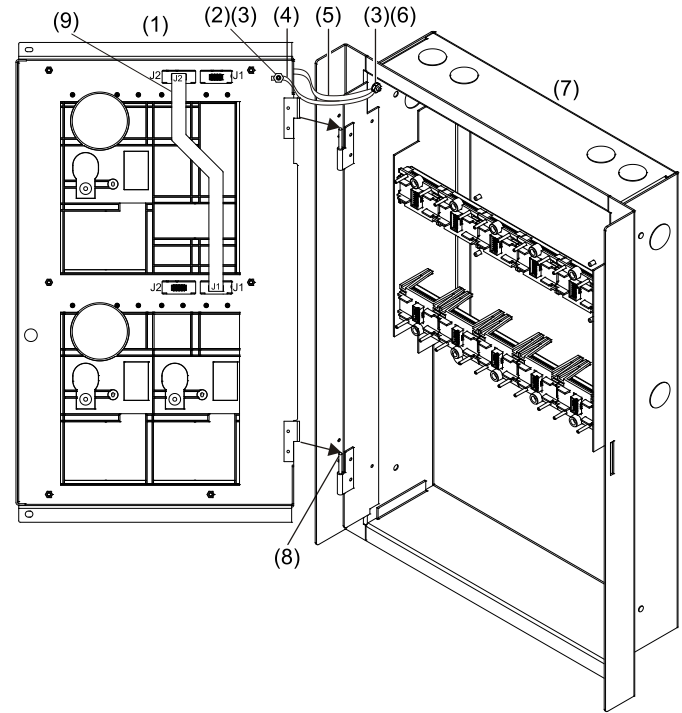


Figure 1: Inner door mounting on a 3-CAB5B



- (1) Inner door
- (2) Inner door ground strap stud
- (3) #8-32 lock nut (2X)
- (4) Ground strap (inner door)
- (5) Ground strap (outer door)
- (6) Backbox ground strap stud
- (7) Backbox
- (8) Mount inner door on inner hinge pins
- (9) 4-CABL0507 UI flex cable

## Description

The 4-CAB8D Series Door Assembly consists of an inner and outer door. The outer door has a viewing window and is secured with a key lock. A hinged inner door panel isolates the operator from the panel electronics and wiring.

The inner door incorporates two 4-4ANNFA UI Frame Assemblies that provide mounting for user interface modules. The 4-FIL Blank Plates (sold separately) are used to cover open positions when no user interface module is installed.

Available 4-CAB8D models are listed below.

Model	Description
4-CAB8D	Bronze door assembly that includes the inner and outer door with a window. Used with the 3-CAB5B Equipment Backbox and the 4-8ANNMT Annunciator Backbox.
4-CAB8DR	Red door assembly that includes the inner and outer door with a window. Used with the 3-CAB5B Equipment Backbox and the 4-8ANNMT Annunciator Backbox.

## Installation

Install this device in accordance with applicable national and local codes, ordinances, and regulations.

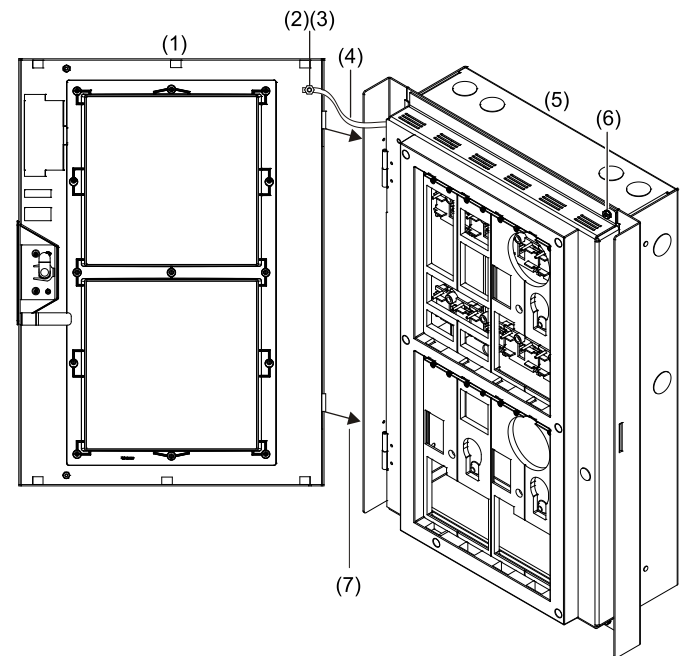
**Note:** The installation procedures for the 4-CAB8D(R) is the same when mounted on the 3-CAB5B or 4-8ANNMT backbox.

**Caution:** Equipment damage. Make sure that the ground straps are attached to the backbox in the horizontal position, parallel to the floor. If not properly installed, the ground strap can come in contact with adjacent connectors when the door is opened and closed.

### To attach the ground straps to the backbox:

1. Attach one end of both door ground straps (included) to the backbox ground strap stud as shown in Figure 1.
2. Secure using the lock nut provided.

Figure 2: Outer door mounting



- (1) Outer door
- (2) Outer door ground strap stud
- (3) #8-32 lock nut
- (4) Ground strap
- (5) Backbox and inner door
- (6) #6-32 lock nut (2X)
- (7) Mount outer door on outer door hinge pins.



**To mount the inner door:**

1. Set the inner door onto the inner door hinge pins as shown in Figure 1.
2. Attach one of the ground straps to the inner door ground strap stud. Secure using the lock nut provided (Figure 1).

**To mount the outer door:**

1. Route the outer door ground strap between the left side of the inner door and the backbox, and then close the inner door and secure it using the hardware shown in Figure 2.
2. Set the outer door assembly onto the outer door hinge pins as shown in Figure 2.

3. Attach the ground strap to the outer door ground strap stud. Secure using the lock nut provided (Figure 2).

**Specifications**

Operating environment

Temperature 32 to 120°F (0 to 49°C)  
Relative humidity 0 to 93% noncondensing

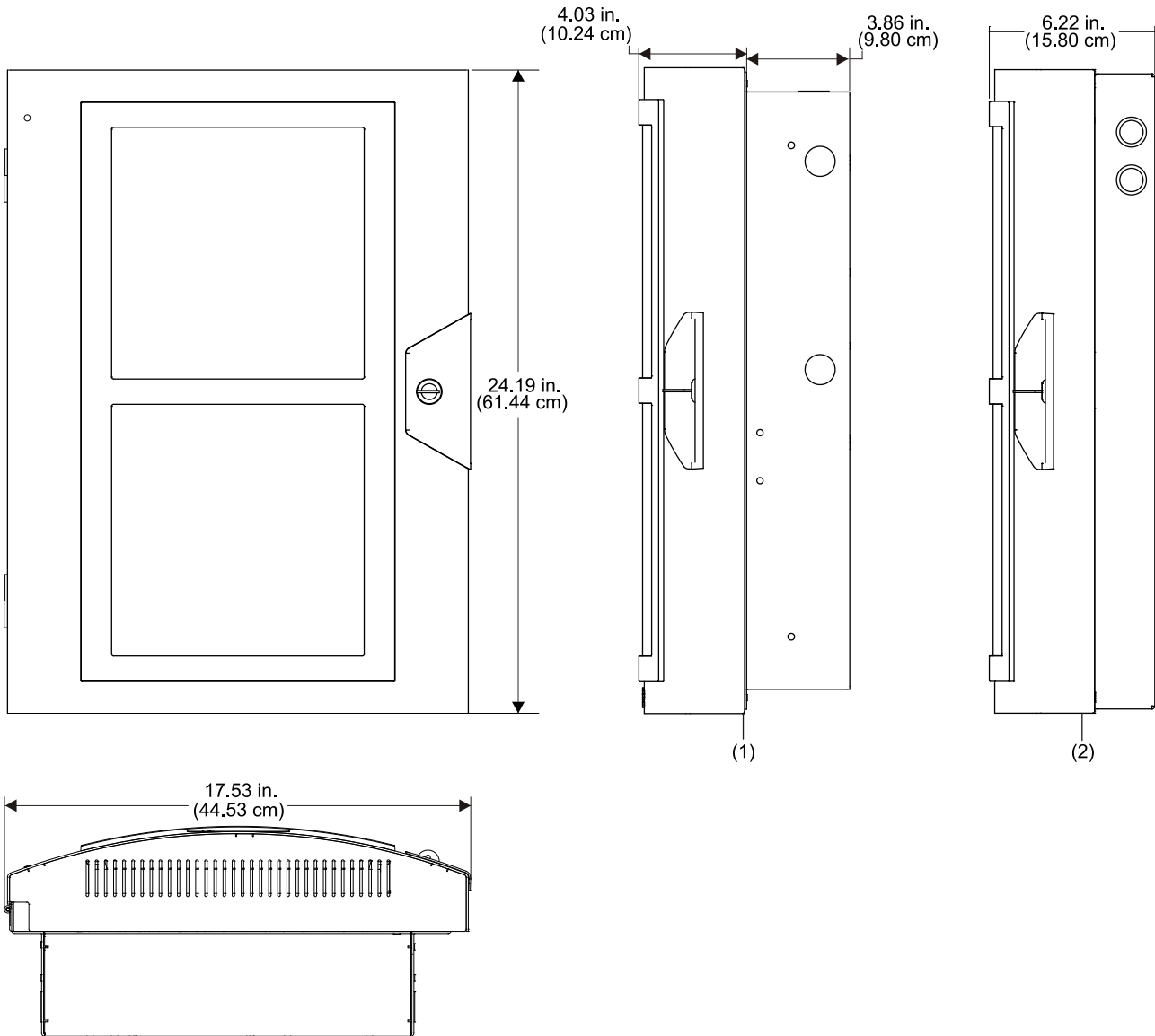
Dimensions

See Figure 3

**Contact information**

For contact information, see [www.edwardsfiresafety.com](http://www.edwardsfiresafety.com).

**Figure 3: Dimensions**



(1) 4-CAB8D installed on a 3-CAB5B backbox. Can be surface mounted or semiflush mounted.

(2) 4-CAB8D installed on a 4-8ANNMT backbox. Can be surface mounted only.